

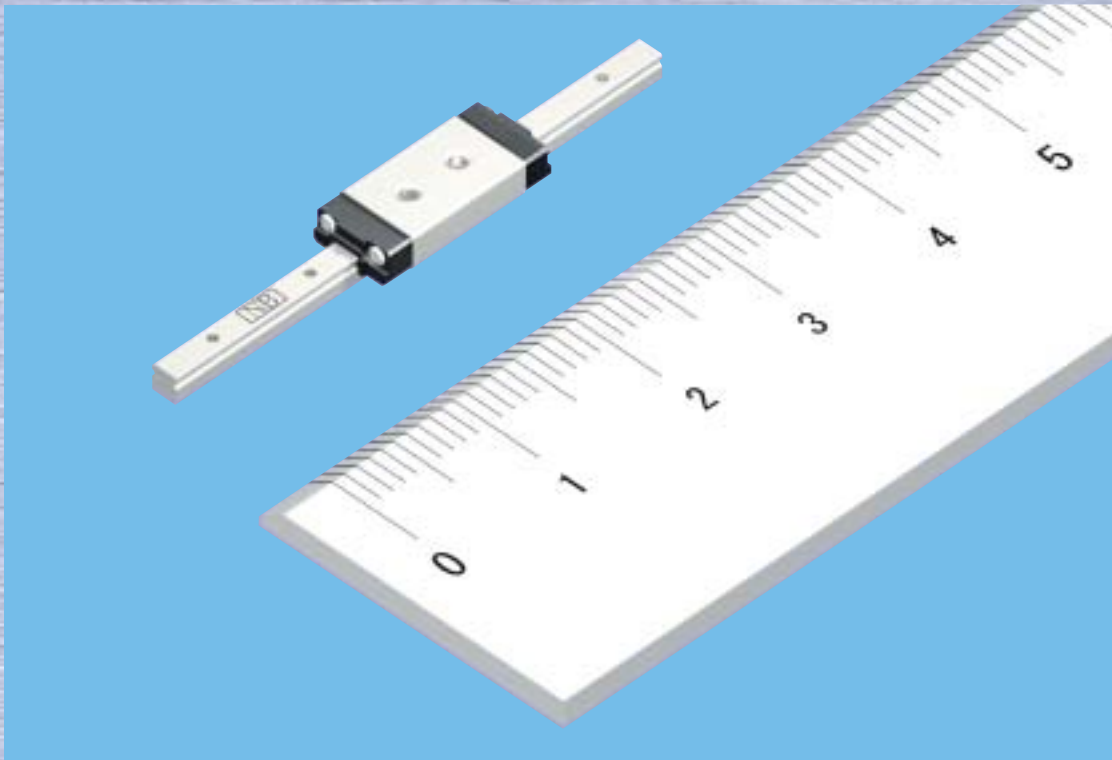
NB

SLIDE GUIDE

SEBS type

Introducing the smallest
miniature guide with 2mm rail width

SEBS2A



ISO9001/ISO14001



NIPPON BEARING CO., LTD.

mm

Part Number Structure

example) SEBS 2A UU 2 TO-80 P N / W2

SEBS type

size

2A standard

seal

blank without seal
UU seals on both ends

number of blocks per rail

Note: The symbol for the number of rail does not mean the number of rails ordered.

symbol for number of rails

blank	singls rail
W2	double rails
W3	triple rails

tapped-hole rail

accuracy grade

blank	standard
P	precision

total length of rail

symbol for pre-load

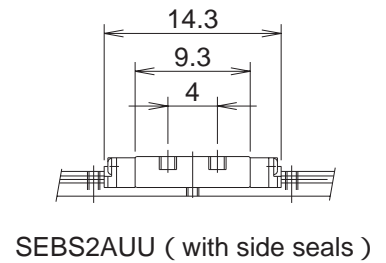
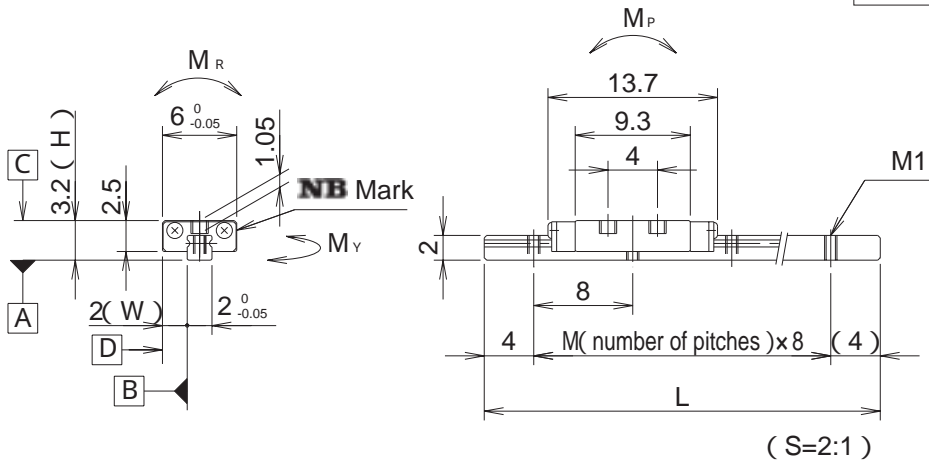
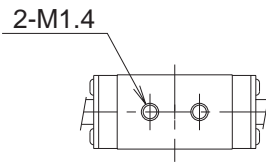
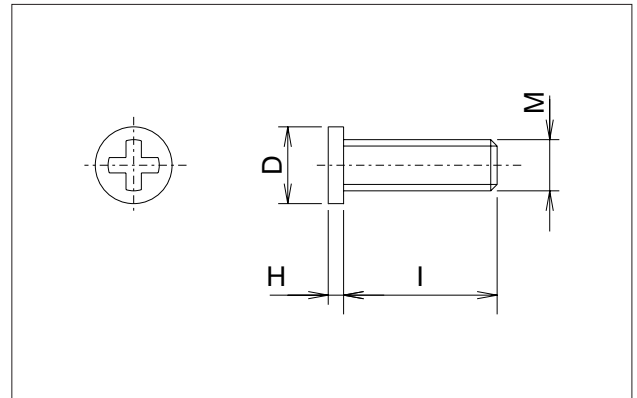
TO	clearance	+ 1 ~ + 3 μm
----	-----------	--------------

accuracy grade	high	precision
accuracy symbol	none	P
allowable dimensional difference for height H	± 0.020	± 0.010
paired difference for height H	0.015	0.007
allowable dimensional difference for width W	± 0.025	± 0.015
paired difference for width W	0.020	0.010
Running parallelism of surface C to surface A	0.003/150	0.0015/150
Running parallelism of surface D to surface B	0.003/150	0.0015/150

Mounting Screw

	bolt size	D mm	H mm	pitch mm	l mm
Custom Screw	M1	1.8	0.45	0.25	3,4,5
	M1.4	2.5	0.8	0.3	2.5,3,4

Custom Screw



basic load rating		allowable static moment			mass	
dynamic	static	M _p	M _y	M _R	block	guide rail
C	C ₀				kg	kg/m
N	N	N · m	N · m	N · m		
199	333	0.49	0.58	0.36	0.0008	0.03

1 kN 102kgf 1 N · m 0.102kgf · m

standard rail length					maximum length mm
L mm					
32	40	56	80	104	150

Contact NB for details of the product.



NIPPON BEARING CO., LTD.

2833 Chiya, Ojiya-city, Niigata-pref.,947-8503 JAPAN
Phone:81-258-82-0011Fax:81-258-81-1135

NB Corporation of America

939 A.E.C. Drive, Wood Dale, IL 60191
Phone:(630)227-1112 Fax:(630)227-1118
Toll Free:(800)521-2045
http://www.nbcorporation.com
info@nbcorporation.com

Western Regional Office

2157 O'Toole Ave., Suite D, San Jose, CA 95131
Phone:(408)435-1800 Fax:(408)435-1850
Toll Free:(888)562-4175

Eastern Regional Office

52 First Street, Hackensack, NJ 07601
Phone:(201)487-1441 Fax:(201)487-7107
Toll Free:(800)981-8190

NB Europe B.V.

Spinnerij 57, 1185 ZS Amstelveen, THE NETHERLANDS
Phone:++31-20-453-4901 Fax:++31-20-453-6730
info@nbeurope.com

No.5580 First Edition:Sep.1,2004

*Specifications are subject to change without notice.
Copyright©2004 Nippon Bearing Co., Ltd. All right reserved