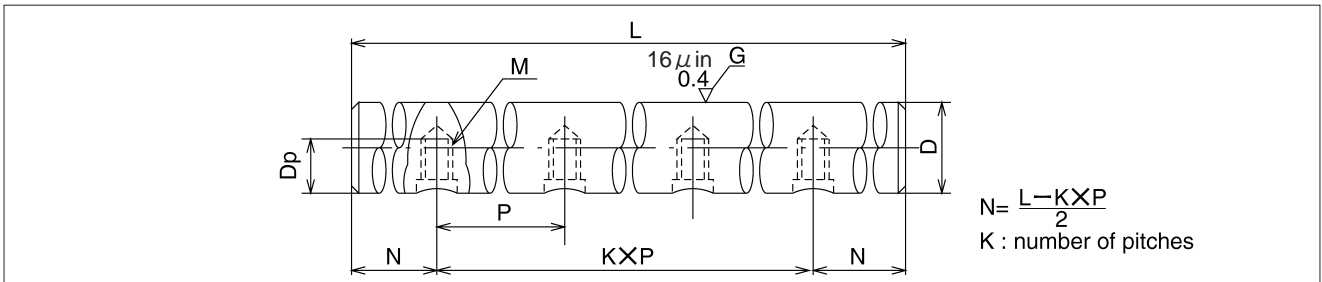
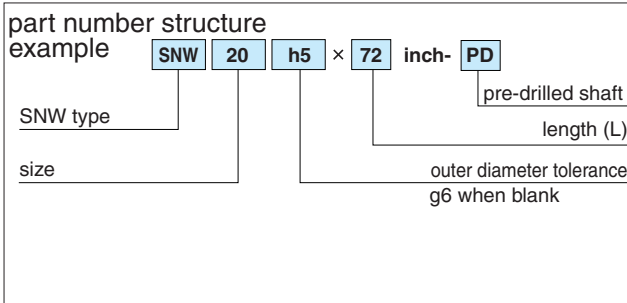
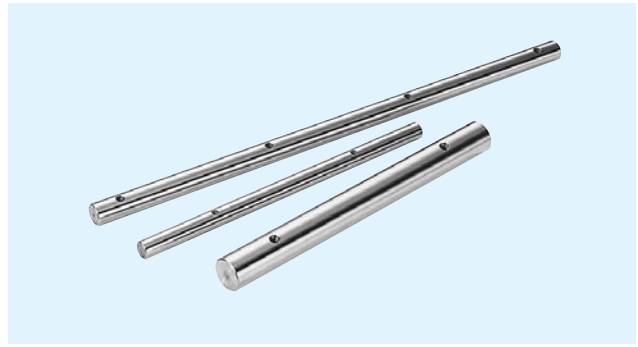






# SNW-PD

– NB Inch Pre-Drilled Shaft –



part number	outer diameter		pitch P inch/mm	bolt size M	tapped hole depth Dp inch/mm	maximum length L inch/mm
	D inch mm	tolerance g6* inch/μm				
SNW 8-PD	1/2 12.700	-.0002 -.0007	4 101.6	# 6-32	0.280 7.1	72 1,828.8
SNW10-PD	5/8 15.875	-6 -17		8-32	0.350 8.9	
SNW12-PD	3/4 19.050	-.0003 -.0008	6 152.4	10-32	0.400 10.2	
SNW16-PD	1 25.400	-7 -20		1/4-20	0.500 12.7	
SNW20-PD	1-1/4 31.750	-.0004 -.0010		5/16-18	0.650 16.5	
SNW24-PD	1-1/2 38.100	-9 -25	8 203.2	3/8-16	0.700 17.8	
SNW32-PD	2 50.800	-.0004/- .0011 -10/-29		1/2-13	0.850 21.6	

material : high-carbon chromium bearing steel (SUJ2) .

1kg ≅ 2.205lbs

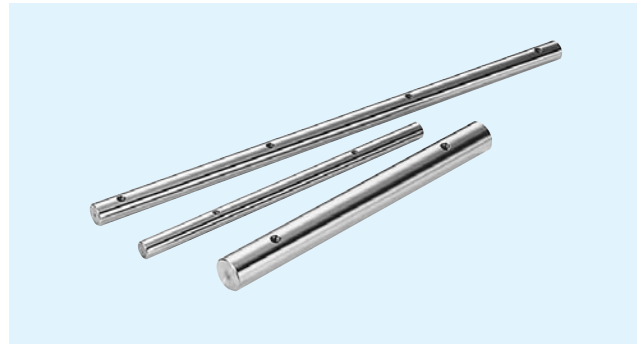
hardness : HV 697 (60HRC) or more

Tolerances other than \*g6 are available upon request.

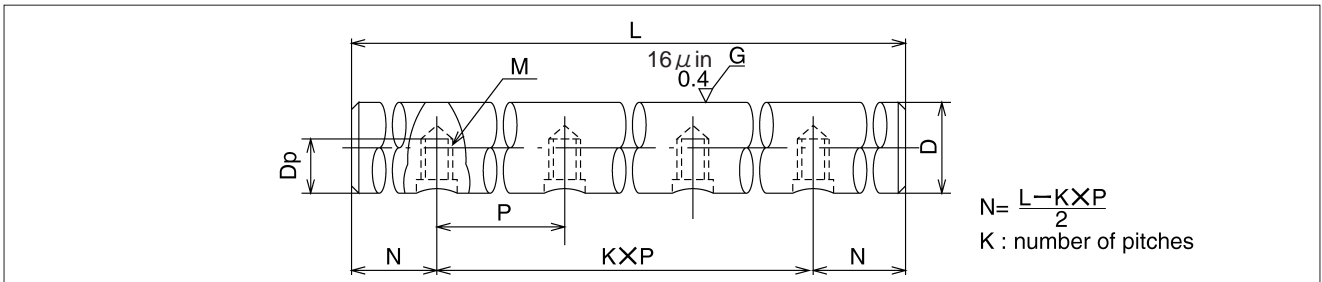
Longer lengths are also available.

## SNWS-PD

– NB Inch Pre-Drilled Stainless Steel Shaft –



part number	structure
example	SNWS 24 h5 × 72 inch- PD
SNWS type	pre-drilled shaft
size	length (L) outer diameter tolerance g6 when blank



part number	outer diameter		pitch P inch/mm	bolt size M	tapped hole depth Dp inch/mm	maximum length L inch/mm
	D inch mm	tolerance g6* inch/μm				
SNWS12-PD	3/4 19,050	-.0003 -.0008	6 152.4	# 10-32	0.400 10.2	72 1,828.8
SNWS16-PD	1 25,400	-7 -20		1/4-20	0.500 12.7	
SNWS20-PD	1-1/4 31,750	-.0004 -.0010		5/16-18	0.650 16.5	
SNWS24-PD	1-1/2 38,100	-9 -25	8 203.2	3/8-16	0.700 17.8	
SNWS32-PD	2 50,800	-.0004/-0.0011 -10/-29		1/2-13	0.850 21.6	

material : Martensite stainless steel (equivalent to SUS440C)

hardness : HV613 (56HRC) or more

Tolerances other than \*g6 are available upon request.

Longer lengths are also available.